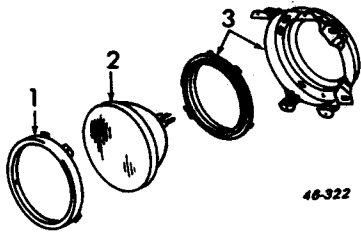


FRONT LAMPS Cont'd

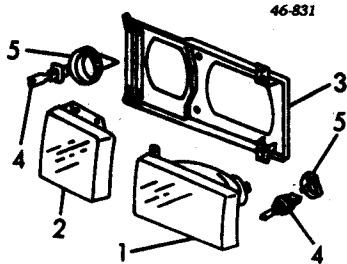
HEADLAMP Cont'd



46-322

1 Ring, Retainer	111 941 049 A	#.1	11.35
2 Sealed Beam USA (6014) exc USA (6017) Halogen	N 017 614 1 999 631 126 90	#.2	33.13
3 Housing & Ring	R 251 941 606 L 251 941 605	#.4	37.50
# w/Grille Removed			

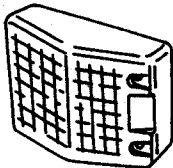
1986



46-331

Lens & Housing			
1 Low Beam	R 255 941 106 A L 255 941 105 A	#.2	106.45
2 High Beam	R 533 941 062 L 533 941 061	#.2	49.45
# w/Grille Removed			
3 Frame, Retaining	R 255 941 046 A L 255 941 045 A	#.5	50.70
# w/Grille Removed, Includes R&R Low & High Beam			
Screw, Adjusting	Horizontal (2) 255 941 141 C Vertical (2) 255 941 141 A		2.00
# Included in Retaining Frame			
4 Bulb, Halogen	Low N 100 666 01 High 900 631 126 90		19.95 31.38
Socket (Pin Housing)			
Low Beam	165 941 165		2.90
High Beam	321 941 600		.43
5 Ring, Retaining	Low 185 941 621 High 533 941 607		1.60

PARK/SIGNAL LAMP



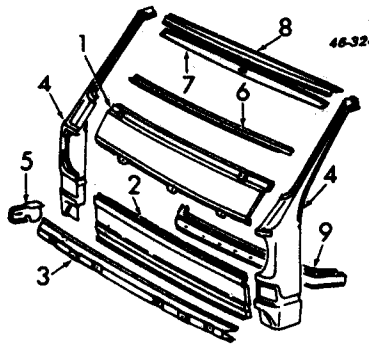
46-323

Lamp Assembly	R 251 953 142 B L 251 953 141 B	.2	16.45
Socket	171 953 053 A		4.30
Bulb	(1157) N 017 738 2		d.74

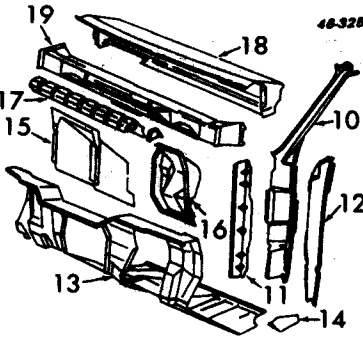
FRONT BODY

Refinish Front Body Outside	6.7
Add for Each Pillar Inside	.5
Refinish Front Panels	2.0
Above Grille	2.1
Below Grille	1.9
Outer Pillar	1.7
Wheel Opening Panel	1.7
Lock Pillar	.5
Outer Panel Times Are w/Bolted Parts & Windshield Removed if Necessary	
Inner Panel Times Are w/Bolted Parts Removed	

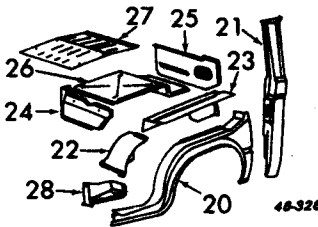
FRONT BODY Cont'd



46-324



46-325



46-326

Panel Assy, Front	exc 251 805 033	24.0	387.15
Water Cooled Eng	251 805 033 A	24.0	387.15
1 Panel, Upper	251 805 035	#4.5	45.50
2 Panel, Center	exc 251 805 037	#3.5	55.20
Water Cooled Eng	251 805 037 A	#3.5	55.20
3 Panel, Lower	251 805 041 C	#3.0	73.05
#R&R All Three - 9.0			
4 Pillar, Hinge - Outer	R 251 805 054	11.0	88.85
L 251 805 053		11.0	88.85
5 Filler, Pillar Lower	251 805 088	.5	4.60
L 251 805 087		.5	4.60
6 Reinforcement, Pillar	251 805 241	1.5	47.85
7 Header, Windshield	251 817 507	1.0	18.85
8 Reinforcement, Header	251 817 317	1.0	11.30
#Included in Front Panel Assy			
Moulding, Hinge Pillar	R 251 853 706	.3	4.00
L 251 853 705		.3	4.00
Emblem "Wolfsburg Edition"	321 853 675 B	.3	8.60
9 Beam, Impact	80-84 251 805 329 85-86 251 805 329 B	3.0	d95.60 97.50
Reinforcement, Impact Beam			
To Outtrigger	R 251 805 352		27.85
L 251 805 351			27.85
10 Pillar, Hinge-Inner	R 251 809 202 A	3.5	103.35
L 251 809 201 A		3.5	103.35
11 Reinforcement, Plr	R 251 809 208 A	1.0	14.95
L 251 809 207 A		1.0	14.95
12 Plate, Pillar Cover	R 251 809 218 A	1.5	17.45
L 251 809 217 A		1.5	17.45
13 Plate, Front Floor	251 801 051 C	#10.0	265.30
#w/Front Panel Removed			
14 Filler, Floor Plate	251 801 077		3.60
15 Plate, Pedal - Center	80-82 251 801 057 83-86 251 801 057 A		26.10
Reinf, Pedal Plate	Upper 251 801 079 Lower 251 801 063		4.65 4.65
16 Insert, Pedal Plate	251 801 073 B		42.90
17 Box, Deflector	251 801 381 A		64.65
#Included in Front Floor Plate			
18 Panel, Instrument-See Instrument Panel			
19 Reinf, Panel	255 805 291 C	5.0	114.70
20 Angle Plate Assy			
Below Door	R 251 809 244 B L 251 809 243 B	#6.5	74.10 74.10
#Exc w/Lock Pillar Removed - 5.0			
21 Pillar Assy, Lock	R 251 809 254	#9.0	111.05

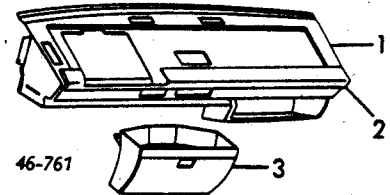
FRONT BODY Cont'd

L 251 809 253	#9.0	111.05
#Exc w/Outer Panels Removed 7.5		
Cover Plate, Inner	L 251 809 238 A L 255 809 237 A	105.10 105.10
Wheelhouse		
22 Front	R 251 801 700 L 251 801 699	1.0 12.50 1.0 12.50
23 Rear	R 251 801 202 L 251 801 201	1.5 47.05 1.5 47.05
Plate, Wheelhouse		
24 Front	R 251 801 690 L 251 801 689	14.20 14.20
25 Rear	R 251 801 244 L 251 801 243	18.25 18.25
26 Box, Battery	R 251 801 281 L 251 801 283	33.25 34.70
27 Plate, Cover	251 801 163 A	24.80
28 Well, Step	R 251 801 174 L 251 801 173	9.15 9.15
Well, Spare Wheel		
Horn-See Electrical 90.30		

WINDSHIELD

Glass, Windshield	Clear 251 845 101 A	2.3	193.85
NAGS C FCW416		2.3	462.95
Tinted 253 845 101		2.3	200.65
NAGS T FCW416		2.3	564.05
Weatherstrip			
Use w/Moulding	255 845 121		49.05
Use w/o Moulding	251 845 121		49.05
Moulding, Reveal	255 853 305		8.10
#Cut as Required			
Sleeve, Moulding	171 853 339 A		.64
Mirror, Rear View	251 857 501 C	.3	48.20
Visor, Sun	R exc 255 857 552 A	.3	39.20
w/Illuminated Mirror	255 857 552 B	.4	76.15
L 251 857 551 A		.3	31.30
#Order by Color			
Blade Assy, Wiper	431 955 425 C	.2	8.55
Arm, Wiper	251 955 409	.2	18.50
Rod, Connecting	R 251 955 326 L 251 955 325		5.35 6.85
Motor, Wiper	251 955 113 C		129.55
Pump, Washer	251 955 651		24.10
Jar, Washer	251 955 453 D		22.40
Nozzle, Spray	211 955 993		3.50

INSTRUMENT PANEL



46-761

1 Panel, Instrument (a)			
1980-85	exc 251 805 103 A	6.5	176.60
Vehicles w/Safety Pad	251 805 103 H	5.5	176.60
1986	exc 251 805 103 AB	6.5	176.60
Vehicles w/Safety Pad	251 805 103 AC	5.5	
2 Pad, Panel Safety (a)	251 857 171		114.70
3 Glovebox & Door (a)	251 857 101 A	.5	29.90
(a) Order by Trim Code			
Strap, Hinge	R 251 857 110 L 251 857 109		.58 .58
Latch	251 857 133		1.40

WHEEL

Refinish Wheel		.5
Wheel	211 601 027 H	.3 52.65
Hub Cap	Prime 251 601 151 Chrome 251 601 151 A Plastic Coated 251 601 151 B	11.10 23.35 16.75
Cover, Wheel	80-84 255 601 149 85-86 255 601 149 A	33.50 33.50

FRONT SUSPENSION

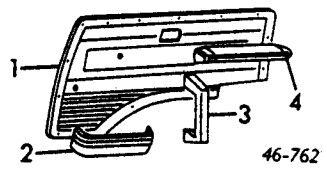
Overhaul Suspension	One Side	3.5
	Both Sides	5.5
Adjust Caster, Camber & Toe-In		1.5
R&R Does Not Include Alignment		
Overhaul Includes Alignment		
IOH - Included in Overhaul		

Adjuster, (Guide)	R 211 881 210 H	#.5	30.90
	L 211 881 209 H	#.5	30.90
#R&R Both .8			

FRONT DOOR

Refinish	Outside	2.5	
	Inside	1.0	
Refinish Hinge2	
R&I Door Assembly6	
R&I Trim Panel4	
Add to Door Shell R&R			
w/Power Window3	
w/Power Mirror2	
w/Power Lock3	
Shell, Door	80-85 R 251 831 052 A	3.5	350.90
	L 251 831 051	3.5	364.25
	86 R 251 831 052 B	3.5	357.90
	L 251 831 051 B	3.5	357.90
Hinge, Half	251 831 403		10.65
*Included in Door Shell			
Moulding, Window Frame			
Upper	R 255 853 326		10.60
	L 255 853 325		10.60
Lower	R 255 853 284		9.05
	L 255 853 283		9.05
Sleeve, Joint (4)	171 853 349		.60
Stripe Tape	80-83 255 853 881		17.60
	84-86 255 853 431	.5	29.55
*393" Roll-Order by Color			
Mirror, Rear View			
Manual	R 251 857 514	.5	24.85
	L 251 857 513	.5	24.85
Power	Heated R 251 857 514 F	.6	218.85

INTERIOR TRIM



1 Panel, Trim (a)	exc R 255 867 016	#.5	68.20
	L 255 867 015	#.5	68.20
	GL R 255 867 016 C	#.5	68.20
	L 255 867 015 C	#.5	68.20
*w/Power Window Add .2 w/Power Mirror Add .2			
2 Tray (a)	281 867 133		10.90
3 Handle (a)	251 867 161		2.95
4 Arm Rest (a)	255 867 157		40.85
(a) Order by Trim Code			

HARDWARE

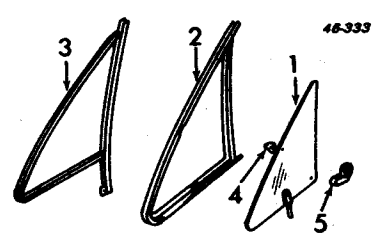
Latch	exc 251 837 016 A	#.4	29.05
	L 251 837 015 A	#.4	29.05
	w/Power Lock R 251 837 016 B	#.5	29.05
	L 251 837 015 B	#.5	29.05
Actuator, Power Lock	255 959 783 A	#.3	
*w/Trim Panel Removed			
Striker, Latch	251 837 035	.2	3.05
Wedge	251 837 295 B	.2	7.30
Handle, Outer			
w/Cylinder & Keys	251 837 205	.3	55.35
Handle, Inner	R 171 837 020		4.15
	L 171 837 019		4.10
*Order by Color			
Hinge - See Door Shell			
Strap, Check	211 837 249 A		24.25
Weatherstrip	251 837 911 A	1.0	24.45

VENT GLASS & PARTS

STATIONARY			
Glass, Front Vent - Stationary			
Clear	R 251 845 252	#.5	26.10
	L 251 845 251	#.5	26.10
	NAGS R C FV2141	#.5	36.00
	L C FV2142	#.5	36.00
Tinted	R 253 845 252	#.5	36.85
	L 253 845 251	#.5	36.85
	NAGS R T FV2141	#.5	37.85
	L T FV2142	#.5	37.85
*w/Trim Panel Removed			
Weatherstrip	251 837 625		8.95

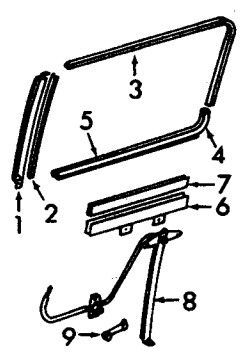
FRONT DOOR Cont'd

MOVEABLE



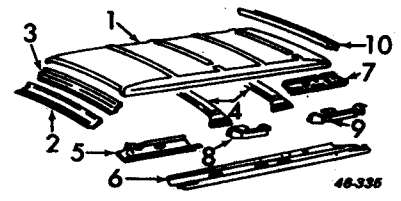
1 Glass, Front Vent - Moveable			
Clear	R 251 845 248	#.5	107.75
	L 251 845 247	#.5	107.75
	NAGS R C FV2139	#.5	95.10
	L C FV2140	#.5	95.10
Tinted	R 253 845 248	#.5	127.20
	L 253 845 247	#.5	127.20
	NAGS R T FV2139	#.5	112.25
	L T FV2140	#.5	112.25
*w/Trim Panel Removed			
2 Weatherstrip	R 255 837 626		16.45
	L 255 837 625		16.45
3 Frame	R 251 837 406	#.4.5	44.95
	L 251 837 405	#.1.5	44.95
*Includes R&R Vent Glass			
4 Pivot, Upper	R 251 837 616		9.30
	L 251 837 615		9.30
Pivot, Lower	NSS		
*Included in Vent Glass			
5 Handle	R 171 837 658		15.90
	L 171 837 657		15.90

DOOR GLASS & PARTS



Glass, Front Door			
Clear	R 251 845 202	2.0	48.40
	L 251 845 201	2.0	48.40
	NAGS R C FD2143	2.0	96.75
	L C FD2144	2.0	96.75
Tinted	R 253 845 202	2.0	64.25
	L 253 845 201	2.0	64.25
	NAGS R T FD2143	2.0	101.80
	L T FD2144	2.0	101.80
1 Guide, Front	R 251 837 410		17.45
	L 251 837 409		17.45
	251 837 433		3.85
2 Run, Front			
3 Run, Upper & Rear			
Standard	251 837 709		22.00
Deluxe GL	255 837 709		22.45
Weatherstrip, Belt			
4 Outer	w/o Vent R 251 837 704		12.00
	L 251 837 703		12.00
	w/Vent R 255 837 704		12.00
	L 255 837 703		12.00
5 Inner	w/o Vent R 251 837 703		12.00
	L 251 837 704		12.00
	w/Vent R 255 837 703		12.00
	L 255 837 704		12.00
6 Channel, Lift	281 837 571		8.20
7 Gasket, Lift Channel	831 837 565		1.00
8 Regulator	Manual R 251 837 502 A	#1.0	36.10
	L 251 837 501 A	#1.0	35.40
	Power R 251 837 502 B	#1.2	240.65
	L 251 837 501 B	#1.2	240.65
*Except w/Glass Removed .2			
Handle, Regulator	175 837 581 A		7.60
*Order by Color			
Motor Regulator	NSS		
*Included w/Regulator			

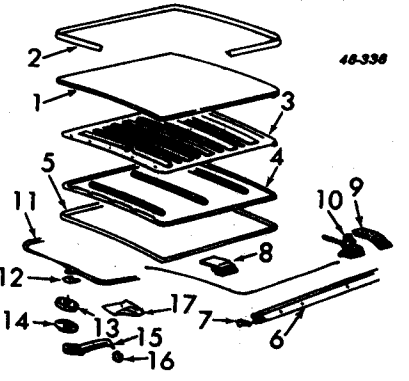
ROOF Cont'd



Panel, Roof			
1 Use w/o Sun Roof	251 817 111 C	25.0	542.00
Use w/Sun Roof	To(a) 253 817 111	27.5	531.00
	Fm(a) 253 817 111 C	27.5	542.00
(a)Ch 24D 106001			
Moulding, Top	Front R 251 853 708	.4	7.85
	L 251 853 707	.4	7.85
	Rear R 251 853 707	.4	7.85
	L 251 853 708	.4	7.85
Joint Cover	Center (2) 251 853 717		
Header, Windshield	251 817 507	1.0	18.85
3 Reinforcement, Hdr	251 817 317	1.0	11.30
*Also Listed in Front Body			
Bow, Roof			
4 w/o Sun Roof	(2) 251 817 355	1.0	32.85
w/Sun Roof	Front 253 817 351	1.0	32.85
	Rear 253 817 355 A		71.60
Rail, Roof Side			
w/o Sun Roof			
5 Front	R 251 817 518	1.0	23.35
	L 251 817 517	1.0	23.35
6 Center	R 251 817 558 B	2.5	78.55
	L 251 817 557	2.5	78.55
7 Rear	R 251 817 340	1.0	11.30
	L 251 817 339	1.0	11.30
Frame, Roof Inner	253 817 401		522.00
Reinforcement, Side Rail			
w/o Sun Roof			
8 Front	R 251 817 306		9.80
	L 251 817 305		9.80
9 Rear	(2) 251 817 307		9.80
Reinforcement, Inner Frame			
w/Sun Roof			
Front	253 817 137		15.05
Side R	253 817 464		21.25
L	253 817 463		21.25
Rear R	253 817 308		21.20
L	253 817 307		21.20
Header, Rear			
10 w/o Sun Roof	251 817 565 A	1.0	57.70

SUN ROOF

Refinish Sliding Panel	1.5
O/H Sun Roof	#3.0
#w/Headliner Removed	



1 Panel, Sliding	253 877 071		327.75
2 Weatherstrip	253 877 223		57.80
3 Frame, Lining	253 877 259		83.15
4 Lining, Panel	253 877 505		95.35
5 Beading, Lining	253 877 349		19.50
6 Rail, Side Guide	R 253 877 356		94.40
	L 253 877 355		94.40
7 Gasket, Rail	R 253 877 366		1.60
	L 253 877 365		1.60
8 Guide	Front 253 877 481		8.25
	Rear 253 877 541		.64
10 Cable & Guide	R 253 877 306		49.05
	L 253 877 305		49.05
11 Rail, Front Guide	253 877 361		106.90
12 Cover, Front Rail	253 817 391		2.95
13 Regulator	241 877 403		26.05
14 Cover, Regulator	313 877 465		1.40
15 Handle, Regulator	253 877 453		8.15
16 Knob, Handle	253 877 457		1.60
*Included w/Handle			
17 Plate, Finger	117 877 433		1.20

ROOF

Refinish	Roof Complete	7.2
----------------	---------------	-----

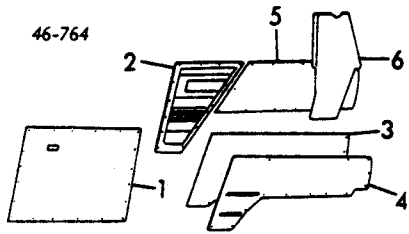
BODY SIDE Cont'd

REAR SECTION Cont'd

	L	253 813 369 A	4.0	48.65
3 Reinforcement	R	253 813 370 A	4.0	47.70
	L	253 813 369 A	4.0	48.65
	R	251 813 354 A	1.0	45.90
4 Plate, Panel	L	251 813 353	1.0	45.90
	R	251 813 400	1.0	19.60
	L	251 813 399	1.0	19.60
5 Reinforcement	R	251 813 196		6.55
Panel Plate	L	251 813 195		6.55
6 Plate, Filler	R	251 813 362		4.15
	L	251 813 361		4.15
7 Valve, Drain		111 801 177		.58
8 Panel, Lower	R	251 813 358	#2.5	7.30
	L	251 813 357	#2.5	7.30

*w/Interior Trim Removed w/Outer Panel Removed 1.0
Stripe Tape - See Front Door

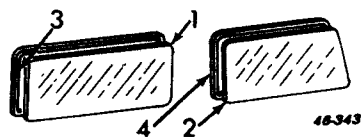
INTERIOR TRIM



1 Panel, Trim Front (a)	L	255 867 039 A	.5	97.70
2 Panel, Trim Rear (a)	R	255 867 036 A	.4	82.95
	L	255 867 035 A	.4	82.95
Panel, Rear (Fibre Board) (a)				
3 w/o Protective Strips	R	253 867 406	.3	26.05
	L	253 867 405	.3	26.05
4 w/Protective Strips	R	253 867 036	.3	74.65
	L	253 867 035	.3	80.20
5 Cover, Luggage (a)	R	255 867 432		14.35
	L	255 867 431		14.35
6 Panel, Sound Absorber (a) R		251 867 824	.4	9.05
	L	251 867 823	.4	9.05

(a) Order by Trim Code & Application

GLASS - STATIONARY

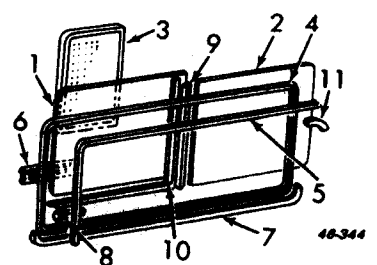


Glass, Body Side (a) - Stationary				
1 Front (Left)	Clear	253 845 301	1.2	78.45
	Tinted	253 845 301 D	1.2	103.15
2 Rear (2)	Clear	253 845 331	1.2	77.05
	Tinted	253 845 331 A	1.2	75.55
(a) NAGS Information Not Available				
Weatherstrip, Glass				
3 Front (Left)		255 845 321		29.85
4 Rear (2)		255 845 341		25.90
Moulding, Reveal				
Front or Rear	80	255 853 305		8.10
	81-86	255 853 345 A		8.05
Sleeve, Midg Joint	80	171 853 339 A		.64
	81-86	311 853 309 B		1.00

GLASS SLIDING

R&I Glass Assembly	1.0
Overhaul Including R&I	1.6

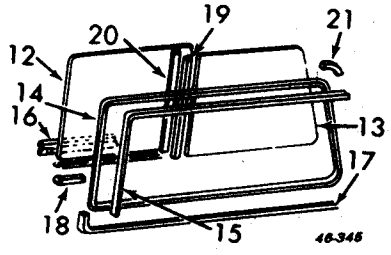
FRONT WINDOW



BODY SIDE Cont'd

GLASS SLIDING Cont'd

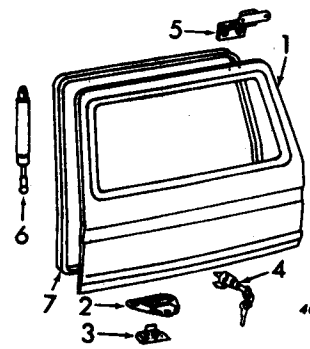
REAR WINDOW



Window Assy, Left Front Window				
w/Screens		253 847 711 B		323.95
w/o Screens		253 847 711		323.95
Glass, Side Body (LF Window (a))				
Moveable				
Use w/Screens				
1 Front	Clear	253 845 303 D		57.50
	Tinted	253 845 303 E		68.65
2 Rear	Clear	253 845 301 A		30.55
	Tinted	253 845 301 H		40.85
Use w/o Screens				
Front	Clear	253 845 303		40.65
	Tinted	253 845 303 C		59.00
Rear	Clear	253 845 301 A		30.55
	Tinted	253 845 301 C		40.85
(a) NAGS Information Not Available				
3 Screen		253 847 749		23.10
4 Frame		253 847 715		70.05
5 Guide, Frame		281 847 721		9.95
6 Runner, Slotted		253 847 727 A	d24.85	
Use w/o Screens		281 847 727		20.60
7 Weatherstrip, Lower		255 845 321		29.85
8 Guide, Lower		253 847 717 A		12.25
Use w/Screens		281 847 717		9.30
Use w/o Screens		281 847 703 A		4.30
9 Channel, Division		253 847 173 B		3.10
10 Weatherstrip, Channel		221 845 349		.50
11 Stop				
*Included in Front Window Assembly				
Moulding, Reveal				
Left Front Window	80	255 853 305		8.10
	81-86	255 853 345 A		8.05
Sleeve, Midg Joint	80	171 853 339 A		.64
	81-86	311 853 309 B		1.00
Glass, Body Side Rear (a) - Moveable				
12 Front	Clear	253 845 353		51.35
	Tinted	253 845 353 A		64.70
13 Rear	Clear	253 845 351		42.55
	Tinted	253 845 351 A		51.35
(a) NAGS Information Not Available				
14 Frame, Rear Window		253 847 765		70.00
15 Guide, Frame		281 847 721		9.95
16 Runner, Slotted		253 847 777		20.45
17 Weatherstrip, Lower		255 845 341		25.90
18 Guide, Lower		281 847 717		9.30
19 Channel, Division		281 847 703 A		4.30
20 Weatherstrip, Channel		253 847 173 B		3.10
21 Stop		221 845 349		.50
Moulding, Reveal				
Rear Window	80	255 853 305		8.10
	81-86	255 853 345 A		8.05
Sleeve, Midg Joint	80	171 853 339 A		.64
	81-86	311 853 309 B		1.00

LIFTGATE

Refinish	Outside	2.5
	Jamb & Inside	1.0
R&I Gate Assembly		.8



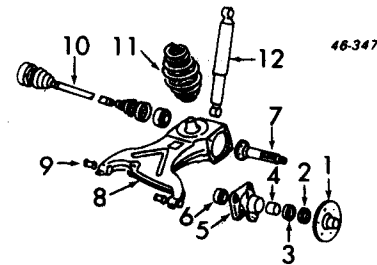
1 Shell, Liftgate

LIFTGATE Cont'd

w/Window Opening	exc	251 829 105 K	3.5	336.15
w/Power Lock		251 829 105 Q		3.8
w/o Window Opening		251 829 105 F		2.3
Panel, Inside Trim (a)		255 867 611	.4	20.45
(a) Order by Trim Code				
Glass, Liftgate				
Unheated				
Clear		251 845 501		1.2
NAGS NA				1.2
Tinted		253 845 501		1.2
NAGS NA				1.2
Heated				
Clear		251 845 501 A		1.2
NAGS NA				1.2
Tinted		253 845 501 B		1.2
NAGS T		FB2186		1.2
Weatherstrip, Glass				
Use w/Moulding		255 845 521		44.15
Use w/o Moulding		251 845 521		30.75
Moulding, Reveal				
80		255 853 305		8.10
81-86		255 853 345 A		8.05
Name "Volkswagen"	80-83	251 853 685	.3	6.15
	84-86	251 853 685 A	.3	5.35
"Vanagon"	80-83	251 853 689 A	.3	7.20
	84-86	253 853 689 C	.3	6.15
"Vanagon L"		255 853 689 A	.3	8.70
"Vanagon GL"	80-85	255 853 689 F	.3	8.70
	86	255 853 689 P	.3	8.70
"Vanagon Diesel"		251 853 689 C	.3	7.20
"Vanagon L Diesel"		255 853 689 C	.3	8.70
2 Latch	80-81	251 829 211	.4	21.85
	82-86	251 829 211 A	.4	21.85
3 Striker, Latch		331 827 511 A	.2	8.75
4 Cylinder & Keys		251 829 231	.3	31.30
5 Hinge		251 829 641		12.30
6 Support, Gate				
Use w/Washer	Canada	251 829 331 A	.2	32.65
Use w/o Washer	USA To (a)	251 829 331	.2	32.65
	Fm (a) R	251 829 332	.2	39.80
	L	251 829 331	.2	32.65
(a) Ch 25C 102 001				
7 Weatherstrip (on Body)		255 829 193	.5	53.00
Blade w/Insert, Wiper		175 955 425 A		4.05
Arm, Wiper		251 955 707	.2	17.95
Motor, Wiper		251 955 713		114.70
Plate, Motor Mount		251 829 129		55.60
Pump, Washer		431 955 651		22.50
Reservoir, Washer		251 955 453 E		22.10
Nozzle, Washer		211 955 993	.2	3.50

REAR SUSPENSION

O/H Axle Shaft Assy	One Side	1.6
	Both Sides	2.8
R&R Does Not Include		
Align Suspension		1.6



Drum, Brake				
1 Hub		251 609 615	.6	98.00
2 Seal, Oil		211 501 619		108.25
3 Bearing - Outer		211 501 317		5.75
4 Spacer, Bearing		211 501 287		10.90
5 Housing, Bearing		211 501 281 E		8.20
6 Bearing - Inner		251 501 253		97.80
Plate, Backing	R	211 501 283 D		22.75
	L	251 609 426 A		43.60
	L	251 609 425 A		43.25
Hose, Brake		175 611 775	#.6	17.10
#R&R Each Additional .3, Includes Bleed				
7 Shaft, Axle - Outer		211 501 265 C	1.6	106.85
8 Arm, Trailing	80-85	251 501 401 B	2.0	308.45
	86	251 501 401 E	2.0	
9 Bushing, Arm		251 501 131 A		9.60
*Included in Trailing Arm				
10 Shaft, Axle - Inner				
Man Trans	80-82 (2)	251 501 203	.7	336.25
	83-85 (2)	251 501 203 B	.7	346.05
	86 (2)	251 501 203 D	.7	352.95
Auto Trans	80-82 R	251 501 204		336.25
	L	251 501 203 A		336.25
	83-85 R	251 501 204 B	.7	352.95
	L	251 501 203 C	.7	352.95
	86 R	251 501 204 B	.7	352.95
	L	251 501 203 E	.7	352.95
Joint, CV		211 598 101		98.70
*Included in Shaft				
11 Spring, Coil (a)		251 511 105	.9	134.30
12 Shock Absorber (a)		251 513 031 G	.5	90.55
	HD	251 513 031 F	.5	120.55